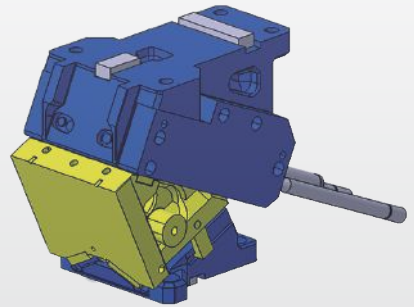
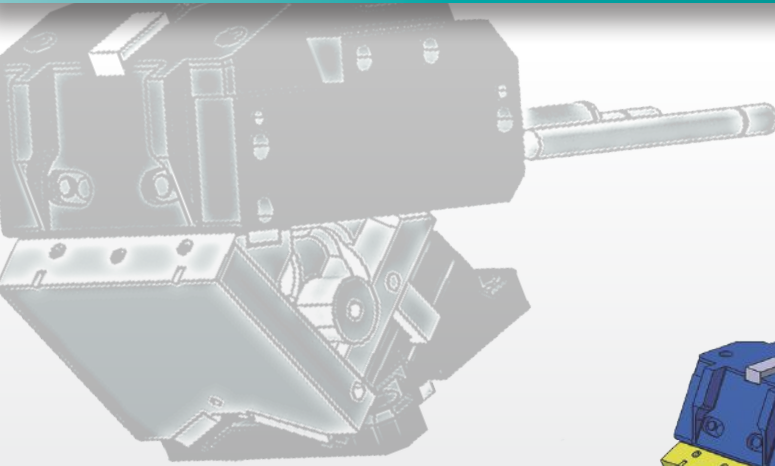




UMIX ADVANCED CAM ADAPTER



UMIX



Catia V5 Data
for Umix Cams

DAYTON PROGRESS
We care about your time!

UMIX ADVANCED CAM ADAPTER simplifies your design.

By choosing the cam type, width and angle, you have access to the whole geometries of a cam. With all functions and as autarkic CATPart. You will get the complete functionality of the OEM-guideline for cam data in Catia V5.

Which means:

- Including cast mirrors, milling volumes, fitting and threaded bore
- Cast shoulders selectable and deselectable and adaptable in height and width
- Axes are included according to OEM design guideline
- Max installation – dimensions and weight– as well as limitations are part of the tool
- The cam can be shown in different positions
- Also contained are parameters for parts lists

See the download area for more information and installation instructions at www.daytonprogress.de or directly at www.umix.co.jp.



DAYTON PROGRESS

a MISUMI Group Company



MISUMI

DAYTON PROGRESS GmbH
Adenauerallee 2
61440 Oberursel | Germany
Tel. +49 (0)6171 9242 01
Fax +49 (0)6171 9242 20
info@daytonprogress.de

www.daytonprogress.de
www.misumi-europe.com/de