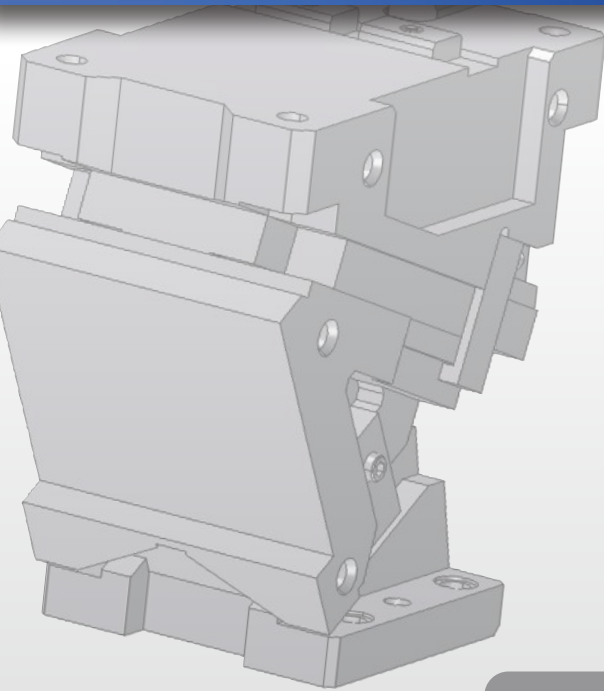




# MISUMI CAMS



The economical  
alternative

a MISUMI Group Company

DAYTON PROGRESS  
We care about your time!



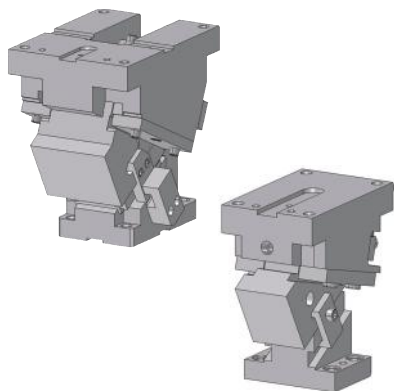
## MISUMI cams for lower requirements

These cams are ideal for applications if the need does not legitimate the usage of high qualitative and more cost-intensive products.

MISUMI offers a whole range of cams which exactly are made for press dies with lower number of strokes. But this does not mean that you have to relinquish quality.

**MISUMI cams** are available as flying and die mount cams in various sizes and angles.

Contact us for a catalog and information or visit [www.daytonprogress.de](http://www.daytonprogress.de)



**WEB  
ORDERING  
SYSTEM**



All MISUMI products available online  
<https://www.misumi-ec.com/de>



DAYTON PROGRESS

a MISUMI Group Company



**MISUMI**

DAYTON PROGRESS GmbH  
Adenauerallee 2  
61440 Oberursel | Germany  
Tel. +49 (0)6171 9242 01  
Fax +49 (0)6171 9242 20  
[info@daytonprogress.de](mailto:info@daytonprogress.de)

[www.daytonprogress.de](http://www.daytonprogress.de)  
[www.misumi-europe.com/de](http://www.misumi-europe.com/de)