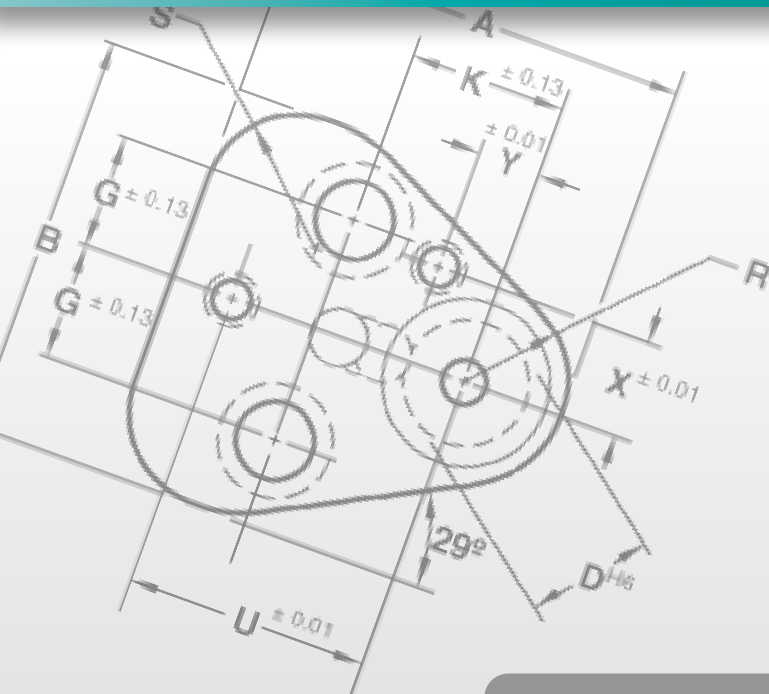




RETAINER HEAVY DUTY FOR BALL LOCK PUNCHES BRTOP



Product Range
Tool Guiding

DAYTON PROGRESS
We care about your time!



The retainer is solid, in one piece. There is no need of an additional backing plate.

Spring and ball are secured with screw plug and are removable.

The centralized pin is also always central to the axis of the punch's shaft. The second pin is mandatory if you apply punches with special cutting shape.

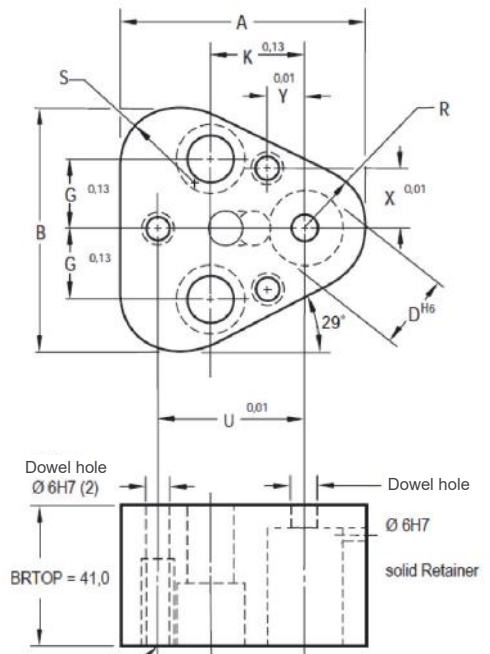
Punch round: 1 pin
Shaped punch: 2 pins

In this retainer plate, bores for punch location, pin and ball cavity are manufactured at a positioning tolerance of 0.01mm. Since True Position® punch retainer plates are tooled precisely and can be variably applied, they contribute to cut your warehouse expense.

Scope of delivery

- 1 Ball
- 1 Spring
- 2 Socket head screws
- 2 Dowel pins \varnothing 6m6 female thread
- 1 Keeper key bolt

BRTOP is suitable for heavy duty.



Catalog no.		D	A	B	G	K	R	S	U	X	Y	Screw
BRTOP	10	10,0	44,5	43,7	11,1	19,0	9,5	12,0	26,925	9,0	7,5	M8
BRTOP	13	13,0	50,8	50,0	14,3	19,0	12,7	15,2	29,970	12,0	6,5	M8
BRTOP	16	16,0	54,0	53,2	15,9	19,0	14,3	16,8	31,750	13,5	6,0	M8
BRTOP	20	20,0	60,3	59,5	17,5	19,0	17,5	20,0	33,530	16,5	5,0	M10
BRTOP	25	25,0	69,9	69,1	19,8	23,8	22,2	24,7	40,640	22,0	7,0	M12
BRTOP	32	32,0	69,9	69,1	19,8	23,8	22,2	24,7	40,640	22,0	7,0	M12
BRTOP	40	40,0	77,4	76,6	24,0	27,0	26,0	28,5	43,993	26,0	10,0	M12

Ordering example: BRTOP 10



DAYTON PROGRESS

a MISUMI Group Company



DAYTON PROGRESS GmbH
 Adenauerallee 2
 61440 Oberursel | Germany
 Tel. +49 (0)6171 9242 01
 Fax +49 (0)6171 9242 20
 info@daytonprogress.de

www.daytonprogress.de

www.misumi-europe.com/de