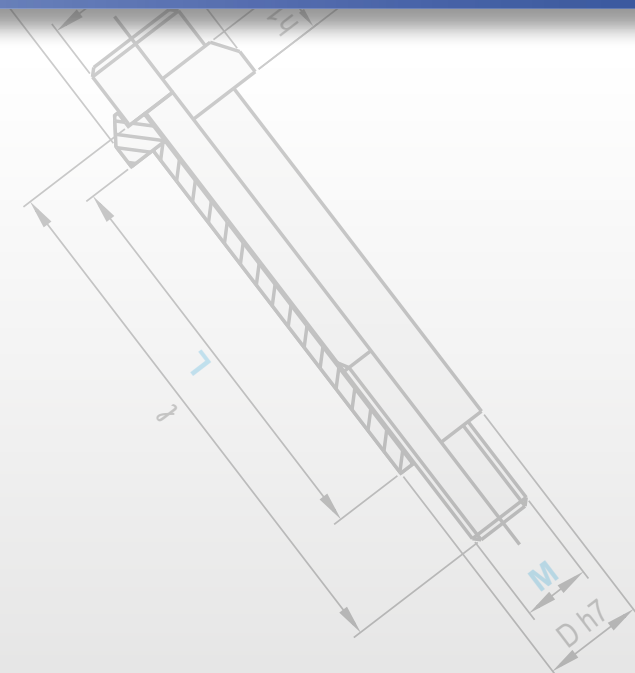




# SPACER / SPRING UNIT



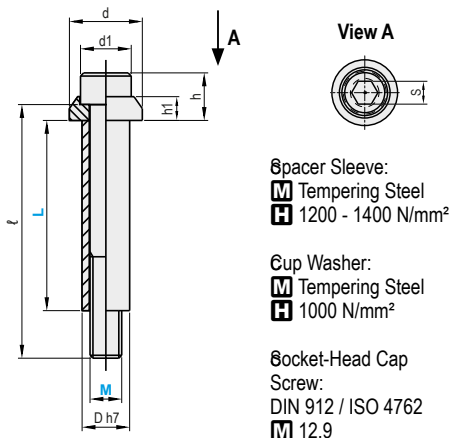
Alternative for  
shoulder fit screws





⚠ Please note the screw tightening torque!  
See Table below.

d	d1	h	h1	ℓ	S	D	Catalog No.		
							Type	M	L
15	10	10	5,5	35	5	10	SVC	M6	20
				25					
				30					
				35					
				40					
				45					
				50					
				55					
				60					
				65					
				70					
				80					
19	13	13	6,5	45	6	12,5	SVC	M8	30
				35					
				40					
				45					
				50					
				55					
				60					
				65					
				70					
				80					
				90					
				100					
110									
120									
23	16	15	7,5	50	8	15	SVC	M10	30
				35					
				40					
				45					
				50					
				55					
				60					
				65					
				70					
				75					
				80					
				90					
100									
110									
120									
140									



d	d1	h	h1	ℓ	S	D	Catalog No.		
							Type	M	L
27	18	18	9	60	10	17,5	SVC	M12	40
				45					
				50					
				55					
				60					
				70					
				80					
				80					
				90					
				100					
				110					
				120					
34	24	24	11	80	14	23	SVC	M16	50
				60					
				70					
				80					
				90					
				100					
				110					
				120					
				130					
				140					
				150					
				180					
180									
200									

Catalog No.	L	Screw Tightening Torque for Steel 12.9 / [Nm]				
		M6	M8	M10	M12	M16
SVC M10	80	13	32	65	120	290
SVC M16	150					



DAYTON PROGRESS

a MISUMI Group Company



MISUMI

DAYTON PROGRESS GmbH  
 Adenauerallee 2  
 61440 Oberursel | Germany  
 Tel. +49 (0)6171 9242 01  
 Fax +49 (0)6171 9242 20  
 info@daytonprogress.de  
 www.daytonprogress.de  
 www.misumi-europe.com/de