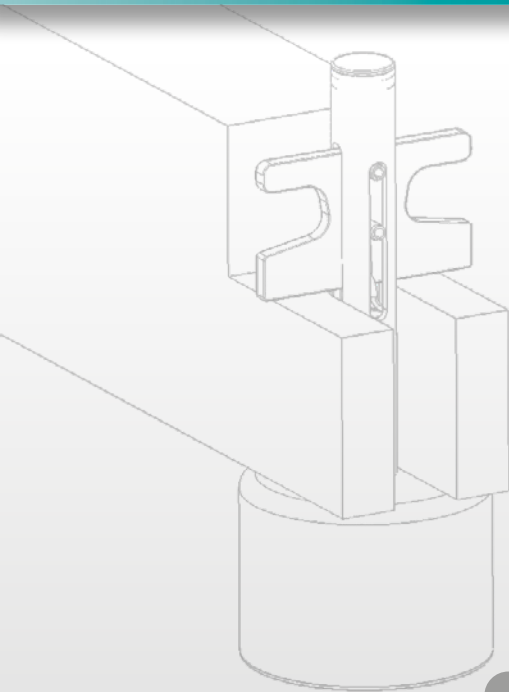




DIE STORAGE BLOCKS

Safety Instructions



Keep your team safe
and your dies clean!

**WARNING****Caution - to reduce the risk of injury remove before flipping dies**

Before flipping dies/stamping tooling, ensure Die Storage Blocks are removed to eliminate the risk of injury or damage if a block should fall during die rotation.

Avoid stacking

It is not recommended to stack dies/tooling with the Die Storage Blocks fitted.

Do not disassemble

DAYTON PROGRESS will not be held responsible for damaged product.

Remove before tooling operation

Always remove Die Storage Blocks when using/running tooling. Never keep attached while placing into the press or other production machinery. Damage to tooling will occur.

Always use caution when operating handle

To avoid pinching, always take care when releasing the handle to engage the Die Storage Block.

**MAINTENANCE AND STORAGE**

Clean with non-abrasive detergent. Paint may flake or scratch with use. Lithium grease can be used on the handle and sliding pins.

Avoid crushing

Always be mindful of the risk of injury to feet / hands etc during moving or setting down of die/tooling.

Always check placement

Always check to ensure Die Storage Blocks are properly seated before setting down tooling.

Do not crush, drop or damage

If Die Storage Block shows sign of visible damage, discard and DO NOT USE.

Never exceed load limit

Never exceed the specified load limit of each Die Storage Block as damage to the block and/or tooling may occur. Exceeding the limit is dangerous and could result in severe or even fatal injury.

**TRANSPORT****Remove before transportation**

Remove Die Storage Blocks before strapping down to a vehicle for transportation.