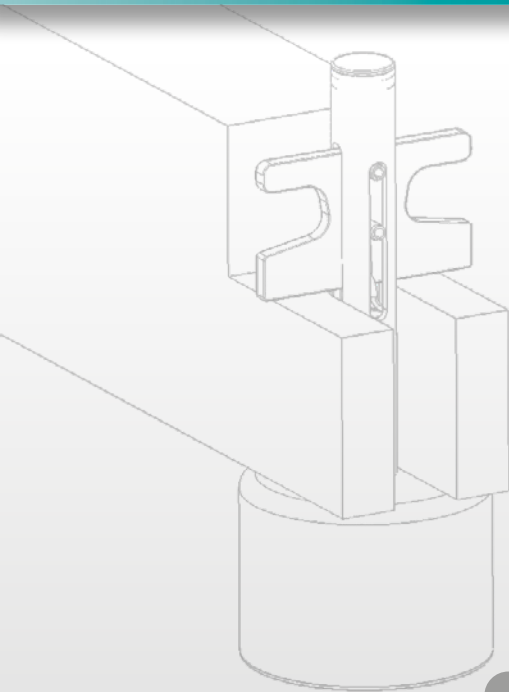




# DIE STORAGE BLOCKS

Patent Pending



Keep your team safe  
and your dies clean!

DAYTON PROGRESS  
We care about your time!

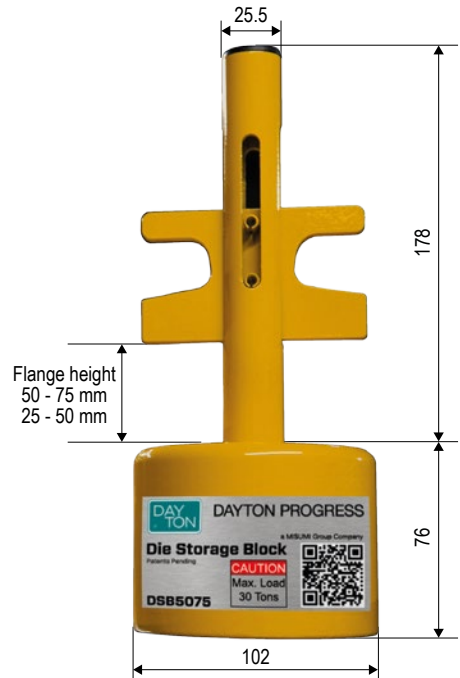


Die Storage Blocks are the safest and most efficient way of maintaining and storing stamping dies. Our patent pending designs help to eliminate the possibility of accidental crushing of hands and feet. The spring loaded handle mechanism quickly and securely mounts the Die Storage Blocks to the tooling. This allows the dies to be moved around with the blocks attached. The tooling can then be placed onto storage racks or the floor without the need for employees to search for wood blocks of equal height. All the handling of the blocks is done above the tooling, helping to eliminate any injuries.

With our die storage blocks, hands no longer need to reach under heavy tooling. Placement is done above the tooling, keeping you clear of the crushing danger.

## Key Specs

- Load Limit 30 tons per block
- Flange height
  - DSB5075: 50 - 75 mm
  - DSB2550: 25 - 50 mm (on request)
- Powder coated in high visibility OSHA yellow



**Order example  
DSB5075**

# Eliminate your injuries!

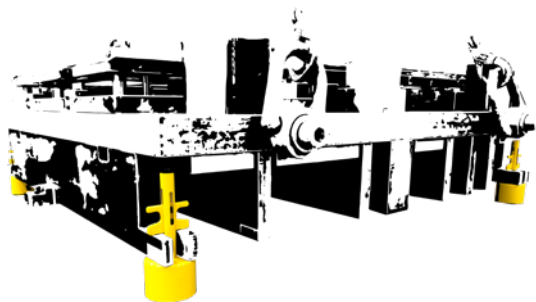


Dies stay clean, while your team constructs, maintains, and stores your tooling; even in the most demanding environments. Make your facility safer, cleaner and more efficient.

- **No more** searching for boards or matching sized wood blocks to put under your dies.
- **No more** tripping over unsightly and out of place scrap wood on your floor.
- **No more** wasting time wiping dies clean of dirt, slugs, and steel chips they've collected from the floor or rotting old boards



**Think about safety and risk reduction!**  
 You can find more information about our accessories on our homepage.



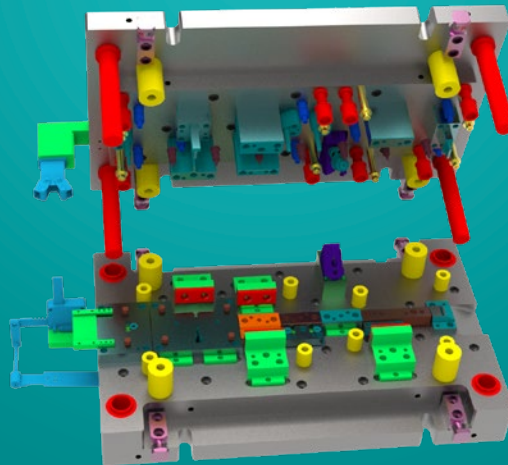
**Watch our application video for more information.**





## Explore our product world!

Experience the product variety of DAYTON & MISUMI. In addition to the standard parts, you will also find customized parts, which we manufacture according to your individual configurations. In this way, we turn your special part to a standard part.



For more information visit our homepage or scan the QR code.



**DAYTON PROGRESS**

a MISUMI Group Company



### DAYTON PROGRESS

Germany  
info@daytonprogress.de  
+49 (0)6171 924201

Czech Republic  
info@daytonprogress.cz  
+420 326 375 911

France  
info@daytonprogress.fr  
+33 1 60 247 301

Spain  
ofertas@daytonprogress.es  
+34 912 692 121

Portugal  
info@daytonprogress.pt  
+351 262 540 400

UK  
info@daytonprogress.co.uk  
+44 1 926 484 192